



Frame

Umbrella spokes are made of rectangular aluminium sections of 30x20x2 mm. The mast is made of a round aluminium section of 60 mm in diameter. The aluminium telescope has section dimensions of 30x30x3 mm. The crown is made of PVC. All parts are screwed together and the frame is powder coated (Polyester powder ca. 80 µ).

- _ White RAL 9010 (standard)
- _ Black RAL 9005
- _ Silver RAL 9006

Mechanics

The tension mechanism of the umbrella is operated by an aluminium handle that controls an inner pulley system.

Stands

- _ Frame base with four concrete blocks (120 kg total)
- _ Steel plate (120 kg)
- _ Ground tube
- _ Core drilling and ram-pin
- _ Support plate
- _ Cross-stand with four concrete blocks (120 kg total)
- _ Screw foundation

Cover

The cover is made up of individual segments which are screwed to the frame by Sterling Steel hooks at the top and by rust-proof screws at the ends of the spokes. The cover is replaceable and is fade, light and water resistant. It is designed to withstand all weather conditions and can be ordered with valances.

MDT-tex® 200

(100% polyester fabric with acrylic coating). Mass ca. 220 g/m², water column pressure up to 500 mm

MDT-tex® 200FR

(100% polyester dual-sided acrylic coating). Mass ca. 260 g/m², water column pressure up to 500 mm, flame retardant up to DIN U102-B1, California T-19.

MDT-tex® 300

(100% acrylic fabric). Mass ca. 300 g/m², water column pressure up to 300 mm.

Print

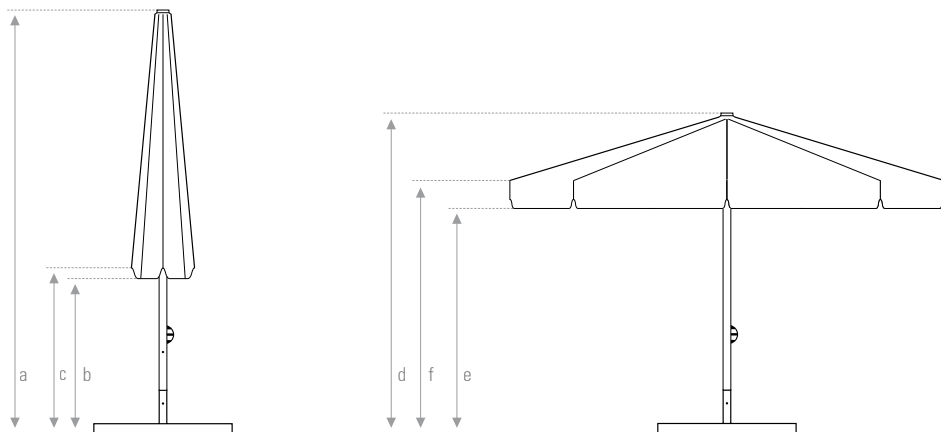
- _ Digital print
- _ Screen print
- _ Dispersion dye print

Advantages

- _ Open and closes with a single-handle pulley system
- _ All materials are resistant to the effects of water corrosion
- _ All umbrellas can be delivered with lighting
- _ Telescopic pole allows the umbrella to open and close above table height
- _ Pulley system is fully integrated in the mast
- _ Electric cables are hidden from sight within four chamber column inside the centre mast
- _ Designed to withstand wind speeds up to 40 km/h (with the proper ground anchorage)
- _ All mechanical and electric construction units are checked by TÜV Germany

Accessories

- _ Various lighting possibilities
- _ Transport case
- _ Protective sleeve with a telescopic pole
- _ Internal cabling (within the mast) in case electrical works are added at a later date
- _ Rain gutter to connect adjoining umbrellas
- _ Cloth side walls with doors or windows

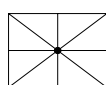


Dimensions are in meters

*all measurements are rounded



3 x 3



3 x 4



ø 3

Mass

	3 x 3	3 x 4	ø 3
Umbrella with packaging (kg)	20,2	24,3	18,3
Umbrella without packaging (kg)	17,2	21,3	16
Frame (kg)	14	16	12,5
Cover (kg)	3,2	4,3	3,5

Dimensions of closed umbrella

Closed height (cm)	346	375	340
Distance from valance to ground (cm)	103	93	131
Distance from spokes to ground (cm)	131	120	158

Dimensions of open umbrella

Opened height (cm)	275	303	270
Distance from valance to ground (cm)	193	188	198
Distance from spokes to ground (cm)	228	215	225

Packaging dimensions

Total length (cm)	350	375	340
Dimensions of cardboard packaging (cm)	25x25x250	25x25x270	25x25x250
Length of mast extruding from box (cm)	100	105	90

Accessories

Adaptor (*1)	Type 060	Type 060	Type 060
Frame base (*2)	Type 060/505	Type 060/505	Type 060/505
Cross stand (*3)	Type 060/505	Type 060/505	Type 060/505
Steel plate stand (*4)	Type 060/120	Type 060/120	Type 060/120
Ground tube (*5)	Type 060	Type 060	Type 060
Protective sleeve size	S	M	XS
Lighting	4x8 W	4x8 W	4x8 W
Mast profile (*6)	x	x	x

